



**Twin-column guide for extra stability.**

The sliding compound mitre saws  
KAPEX KS 88 and KS 120

KAPEX

**FESTOOL**  
Tools for the toughest demands

## Double the precision: KAPEX KS 88 | KS 120.

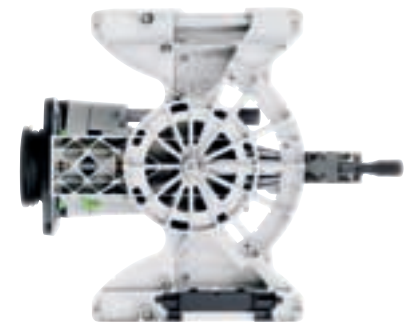
The new KAPEX KS 88 and the KS 120 are two sliding compound mitre saws with a single objective: the perfect cut. The impressive features of the **KS 88** include:

- ▶ twin-column guide with two bearings for unique precision
- ▶ low weight for easy transportation and greater mobility
- ▶ intelligent details such as an angle preselection knob and quick-release clamp for rapid adjustment of the inclination angle
- ▶ integral MMC electronics for a smooth start-up and efficient machining of different materials

When it comes to cutting accurately, the **KS 120** with additional equipment features is simply unbeatable:

- ▶ e.g. dual-line laser for an accurate indication of the cutting line
- ▶ easily accessible fine adjuster for setting the saw blade angle accurate to the millimetre
- ▶ special cutting position for cutting depths up to 120 mm
- ▶ practical bevel for rapid transfer of interior and exterior angles

The new KAPEX KS 88 and KS 120, double the precision. Compact, lightweight, unbeatable comfort and indescribable versatility. For precision results in workshop or assembly applications.



Extra large dimensions with dual bearings. The Festool twin-column guide guarantees smooth, safe guidance of the saw blade and maximum precision.

Robust and mobile for harsh industrial applications. Ribbing and high-quality cast magnesium increase rigidity while keeping weight to a minimum.



MMC electronics with variable speed preselection, smooth start-up, overload protection and integrated safety brake for safe adaptation to the working material.

Short set-up times and perfect preparation. FastFix for quick and easy saw blade replacement.

Even more comfort and greater precision, e. g. fine adjuster on the KS 120 for setting the saw angle accurate to the millimetre. Like with all important control elements, quick and convenient adjustment from the front of the machine.

Unlimited mobility. With ergonomic hand grips, cord holder, transport safety device, clamp and an extremely compact, lightweight design.

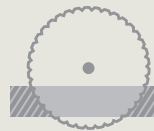
Free view of the workpiece and a dust-free environment. Extraction system and chip deflector funnel extract the chips from where they are produced.

The sliding bevel on the KS 120 saves time and eliminates errors. For rapid measurement of interior and exterior angles and subsequent transfer to the saw.

#### Impressive cutting capacity

The special cutting position of the KS 120 allows you to cut strip material up to 120 mm vertically against the stop or cut coving and cornices in their "original wall position".

#### Standard setting:



Max. width x height  
305 x 88 mm

#### Special cutting position:



Max. width x height  
60 x 120 mm



Max. width  
168 mm

KAPEX

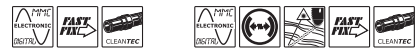


## Scope of delivery and technical data



Applications	KAPEX KS 88	KAPEX KS 120
• Cutting boards and panels up to 305 x 88 mm	<input type="radio"/>	<input checked="" type="radio"/>
• Trimming cornices up to 168 mm in their original wall position	<input checked="" type="radio"/>	<input checked="" type="radio"/>
• Trimming square timber and beams up to 88 mm thick	<input checked="" type="radio"/>	<input checked="" type="radio"/>
• Trimming non-ferrous metal and plastics	<input checked="" type="radio"/>	<input checked="" type="radio"/>
• Cutting along the bisector without making calculations		<input checked="" type="radio"/>
• Special cutting position for trimming skirting boards and cover strips up to 120 mm high		<input checked="" type="radio"/>

Features	KAPEX KS 88	KAPEX KS 120
• Twin-column guide for accurate cuts	<input checked="" type="radio"/>	<input checked="" type="radio"/>
• Compact, lightweight design for convenient transportation	<input checked="" type="radio"/>	<input checked="" type="radio"/>
• Bevel and dual-line laser for accurate angle transfer		<input checked="" type="radio"/>
• FastFix saw blade changing for adaptation to the working material	<input checked="" type="radio"/>	<input checked="" type="radio"/>
• Angle preselection knob and quick-release clamp	<input checked="" type="radio"/>	<input checked="" type="radio"/>
• Fine adjustment of the saw blade angle accurate to the millimetre from the front of the machine		<input checked="" type="radio"/>
• Safety brake		<input checked="" type="radio"/>



Technical data	KAPEX KS 88	KAPEX KS 120
Power consumption		1,600 W
Idling speed		1400-3400 rpm
Saw blade diameter		260 mm
Cutting depth at 90°/90°		305 x 88 mm
Cutting depth at 45°/90°		215 x 88 mm
Cutting depth at 45°/45° (left)		215 x 55 mm
Cutting depth at 45°/45° (right)		215 x 35 mm
Special cutting depth at 45°/90° (right)	-	20 x 120 mm
Cornice diagonal cut		168 mm
Inclination angle		47°/47°
Mitre angle		50°/60°
Dimensions (W x D x H)		713 x 500 x 470 mm
Dust extraction connection diameter		27/36
Weight	20.7 kg	21.5 kg

Scope of delivery	Order no.
<b>KAPEX KS 88 E</b> HW universal saw blade W60, workpiece clamp, operating tool, in a carton	<b>561396</b>
<b>KAPEX KS 120 EB</b> HW universal saw blade W60, bevel, workpiece clamp, operating tool, in a carton	<b>561283</b>
<b>KAPEX KS 120 EB-Set</b> HW universal saw blade W60, bevel, workpiece clamp, multifunction table MFT KAPEX, clamping set, 2 x trimming attachment, 2 x crown stop, operating tool, in a carton	<b>561289</b>



Dual-line laser and bevel for precision indication of the cutting line and angle transfer.

# System accessories

# FESTOOL

Tools for the toughest demands

**Festool GmbH**

**Export Department**

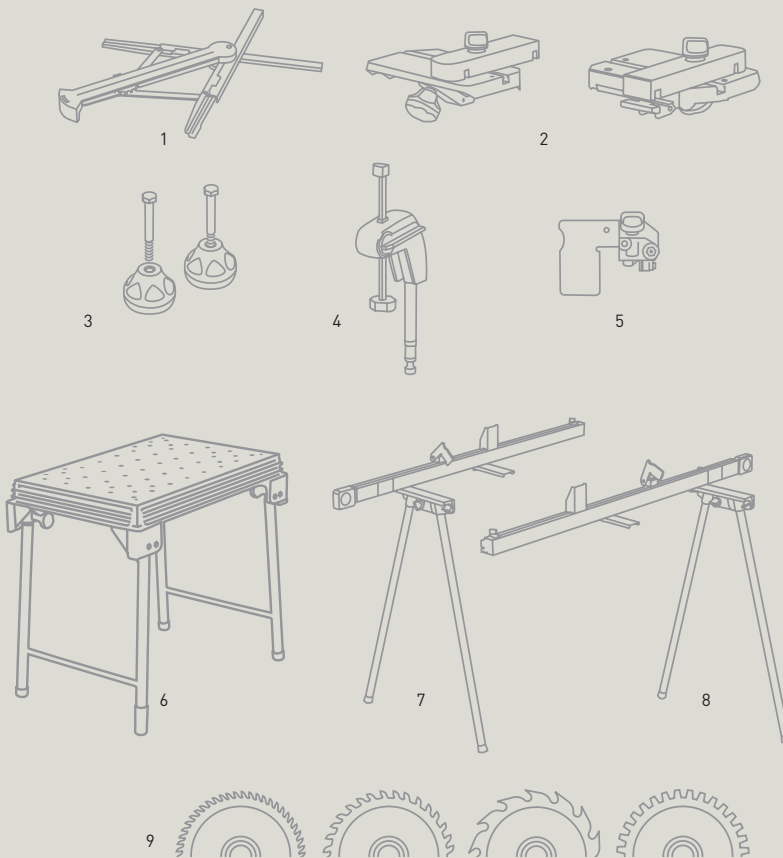
Wertstraße 20

D-73240 Wendlingen

Phone +49 (0)70 24/804-20640

Fax +49 (0)70 24/804-20724

E-mail: [ebg@tooltechnicsystems.com](mailto:ebg@tooltechnicsystems.com)



Technical data	Order no.
1 Sliding bevel SM-KS 120	<b>494370</b>
2 Crown stop AB-KS	<b>494369</b>
3 Clamping set SZ-KS	<b>494693</b>
4 Clamp KL-KS	<b>494391</b>
5 Adjustable stop KA-AR	<b>488560</b>
6 Multifunction table MFT KAPEX	<b>495465</b>
7 Trimming attachment KA-KS L	<b>495969</b>
8 Trimming attachment KA-KS R	<b>495968</b>
9 Circular-saw blades	<a href="http://www.festool.com">www.festool.com</a>

[www.festool.com](http://www.festool.com)

Dealer

**Festool**  
**KAPEX**  
Valid from July 2009

Order no. 60643



4 014549 137611

Subject to alterations and errors. Products may differ from those pictured. Created for TTS Tooltechnic Systems AG & Co. KG, 73240 Wendlingen, 07/2009