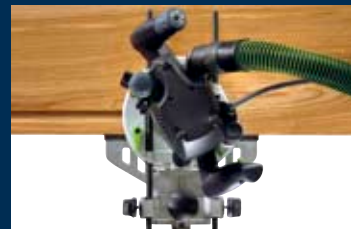


# FESTOOL

**A masterpiece.**

**Unique in performance  
and operation: the new  
OF 2200 router.**



The new OF 2200 router.

## **A tool that shines in all areas.**

The OF 2200 router is the latest masterpiece from Festool. It impresses with its power, perfect technical design, ideal ergonomics and incredible precision. Added to this is an unbelievable low-end torque: 2200 Watts are sufficient for it to cut through the hardest of material without jamming or tearing. The OF 2200 router sets new standards in all areas – simply a masterpiece. But you have to experience this yourself.





A quantum leap in technology, reliability and ergonomics.

## A tool that can do everything.

More powerful, easier to use, more comfortable and safe – the OF 2200 offers the most powerful low-end torque, the highest precision and top ergonomic comfort. No matter what the job – with the OF 2200, the solution is in your hand. After all, nothing is impossible!



**Precise fine adjustment.**  
Set the cutting depth to within 1/10th of a mm using the zero-out process. Softgrip and the ergonomically positioned indicator make it dead easy.

**Faultless precision.**  
Once the routing depth is set, the router clamps to both guide columns at the same time with only one control knob. This double column clamping system guarantees accurate routing results.



**Corrosion-free columns.**  
The coating protects the guide columns against corrosion.



**Festool routers.**  
For perfect results, Festool offers you over 160 router bits in HS and HW quality.



**Convenient router bit change.**  
The rocker and ratchet spindle stop mechanism enables fast, safe router bit change with just one spanner.

**Profile cutter quickly adapted.**  
By coupling the base to the depth guide, you can use the fine adjustment mechanism to quickly set the cutter into the ideal position.



### IPT Interactive Product Tour



**Experience the new OF 2200 router in action!**

You want to see more? In that case, the detailed application DVD-ROM with numerous practical examples is just what you need! Simply request it with the enclosed card.

Or view online and place your order: [www.festool.com.au](http://www.festool.com.au).

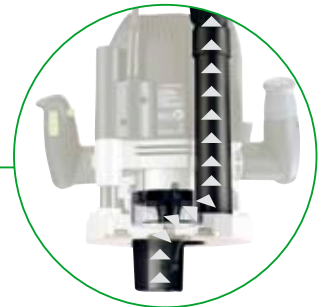


**Powerful low-end torque.**

The electronic motor control uses the 2200 Watts to produce impressive low-end torque performance. The three-fold mounted armature shaft guarantees low-vibration routing.

**First-class ergonomics.**

Perfect control and ergonomic handling are the end result of the clever 30 degree rotation offset of the parallel fence.



**Unmatched dust extraction**

The extraction hood, chip catcher and rotatable exhaust adapter, which can be rotated 45°, ensure removal of up to 99% of generated dust when used with a CT extractor – even when routing edges!

**80 mm plunge depth.**

Impressive 80 mm plunge depth for more options and safety.

**Tool-free change.**

Change the copying ring, chip catcher and baseplate using FastFix: simply unlock, change, click in. Centring is automatic.



The OF 2200 unites power and ergonomics.

## A tool that goes full speed ahead.

The new OF 2200 router is truly amazing. Its unbelievable power is best demonstrated when working on large workpieces and Australian hardwoods. The optimised power-weight ratio allows you to control the new OF 2200 router even at full power. When edge routing, the baseplate provides excellent support of the tool on the workpiece, guaranteeing precise results and ensuring ergonomic, safe work.



**30° for easier guidance**

When routing with the parallel fence or the guide rail, the guide rods of the OF 2200 are offset by 30° from the handles. This means that the working position and advance direction are perfectly aligned, making it a lot easier to use for long periods – especially when routing hardwoods.



Use of the parallel fence.

**Easily secured: the parallel fence and rail adapter**

Clamping of the two guide rods to the base and the adapter requires only one clamping screw – real time saving. The ergonomically aligned stops also optimise the application pressure on the workpiece.



**Control elements within reach**

The important control elements such as double column clamp, on-off switch and the extraction hood trigger can be operated conveniently – without having to let go of the router. This means that both hands remain on the handles during operation, improving comfort and safety.



**Everything under control:**

**1. Double column clamp**  
Simply turn to lock in the cutting depth on both columns simultaneously. The router won't twist even if strong forces are applied.



**2. On-Off switch**  
Both hands remain firmly on the router when switching on or off – for more safety.



**3. Extraction hood trigger**  
Both hands remain on the router when the extraction hood is released.

The OF 2200 offers greater plunge depth.

## A tool with the right depth range.

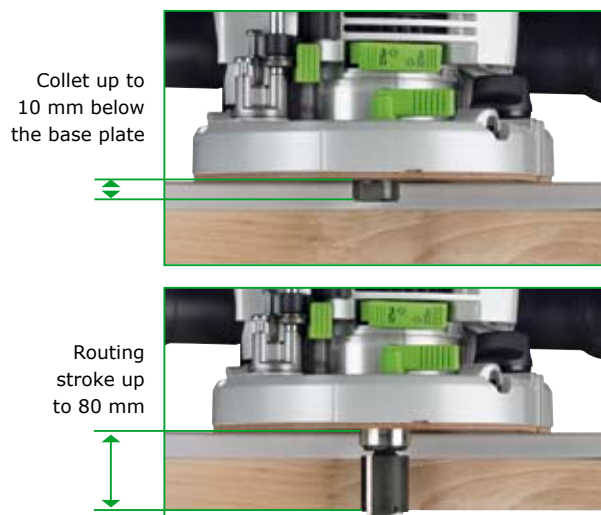
With its extremely large plunge depth range of 80 millimetres, the OF 2200 offers you more versatility, especially when you are using templates. This is precisely why the new router is perfect for routing windows, doors, stairs, solid surface materials, etc.





**Safely reaching the depths**

A great advantage of the new OF 2200 is the 80 mm plunge depth: the collet can plunge up to 10 mm below the base plate.



When routing thick materials, the added plunge depth is extremely handy, especially if you're using a template.

**Versatile work**

The new OF 2200 router also offers you many options for routing with templates. You can use the multiple routing template, routing aids and benchtop routing templates without any problems.



The benchtop routing template can be used to quickly and precisely join corners and panels.



When routing trenches in narrow workpieces, you'll get perfect results by using the routing aid.\*



The multiple routing template with extension profiles\* can be used to effortlessly cut circles and arcs.

\* System accessories available separately.

# Details for precise, tidy work.

## Fast and accurate profile cutter setting

A masterpiece, also with regard to fine adjustment: by coupling the base and depth guide, you can now move the base up or down in increments of 1/10 mm. This allows you to adapt the cutter more easily and exactly to your workpiece.



Fine adjustment in 1/10 mm increments



Coupling of base plate and depth guide

The new fast adjustment for profile cutters supplements and optimises the fine adjustment using the well-known zero function.

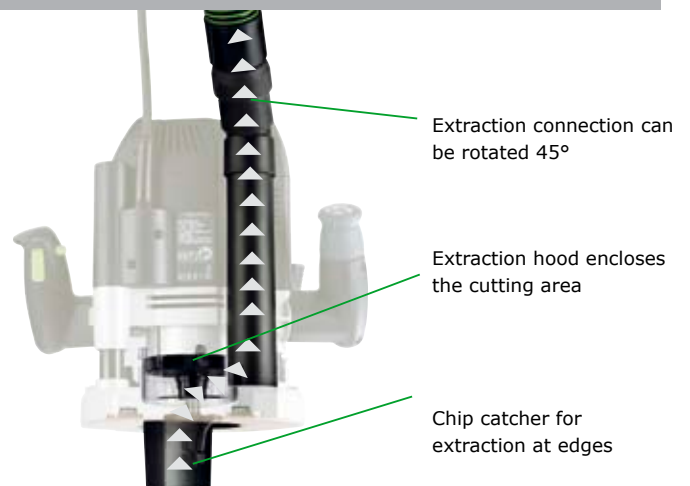
## Work in a clean environment

Optimised dust extraction is indispensable when fine dust is produced. This is why a new extraction concept with a retractable extraction hood was developed for the OF 2200. It guarantees extraction efficiency of up to 99 % when used with a CT extractor, even when routing edges.



Protecting your health with excellent extraction is a must, but it shouldn't hinder your work. That's why the extraction connection that can be rotated up to 45° – keeping the hose out of your way.

## The new extraction concept of the OF 2200:



The extraction hood can be raised for a perfect view of the cutter and scribe mark. When the extraction hood is lowered, it encloses the cutting area when the cutter plunges into the material for optimum dust extraction.

From the OF 2200 to the bench-mounted router TF 2200.

## A tool with real team spirit.

In conjunction with the CMS Compact Module System basic unit, the new router becomes the powerful bench-mounted router TF 2200: ideal for flexible and efficient processing of large workpieces and profiles. Height adjustment of the router is carried out very simply from above the work surface.

The routing guard and the double extraction connections guarantee clean work on the bench as well. Furthermore, you can exchange the router module for other CMS modules as required: for sawing or sanding.

### Applications of the bench-mounted router TF 2200

- All kinds of routing work:  
Rebates, round edges, routing arcs and shapes
- Routing shapes and arcs at ball bearing guide
- Jointing work at the stop
- For large arcs and profiles



The routing guard guarantees perfect extraction and good view of the routing position. It is included in the TF 2200 set.



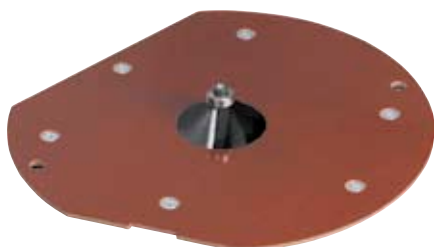
# The Accessories Systainer for the OF 2200.

## A tool that offers more flexibility.

Together with the Accessories Systainer, the OF 2200 is a flexible, complete system. You'll always have the right accessory at your fingertips, and with the tool-less baseplate and copying ring change, setting up for any application is dead easy.

### Baseplate dia. 36 mm:

For copying rings with diameters up to 30 mm, this base runner is perfectly suited for use on edges with small router bits. It prevents tipping when routing around corners.



### Baseplate dia. 36 mm with extraction opening:

For copying rings with diameters up to 30 mm, this baseplate has an integrated extraction opening for upward extraction of the chips. For safe, clean routing.





All this is included in the Accessories Systainer SYS 2:

- 3 baseplates
- 4 copying rings dia. 17, 24, 27, 40 mm
- 1 guide rail adapter with baseplate
- 1 parallel fence
- 2 guide bars

**Baseplate with wide support:**

Provides increased safety because it reduces the risk of tipping when routing around corners and is ideal for safe guidance of the OF 2200 on edges.



**Guide rail adapter and baseplate:**

Ideal for routing perfectly straight trenches. Guide rail adapter has an integrated fine adjustment mechanism – accurate to 1/10 mm. The complementary baseplate compensates for the height difference between the rail and the workpiece in relation to the guide rail, guaranteeing a steady base for the router.



# Powerful in action, easy to handle.

## OF 2200 router



## Applications

- Rebating, trenching and profiling
- Routing large cutouts, circles and arcs with the multi-routing system MFS
- Creating worktops corner joints with the worktop system APS
- Routing seals in windows and doors
- Flush trimming, making cutouts, trenching, profiling of mineral material
- Creation of string-boards in hardwood or softwood
- Stationary routing with the bench-mounted router TF 2200 with cutters up to 60 mm in diameter.

## Features

- Extremely powerful with fully variable speed for hardwoods and thick materials
- Precise, effortless work when using the parallel fence due to the clever 30 degree offset from the handles
- Tool-free copying ring and baseplate change
- Fast, convenient cutter change with rocker and ratchet principle
- Greater precision and stability result from the double guide column clamp
- Simple, exact routing depth setting to 1/10 mm
- Fast cutter adjustment
- Dust extraction efficiency of up to 99 % when edge routing through adjustable extraction hood and chip catcher

## Technical data

Power consumption	2200 W
Plunge depth	80 mm
No-load speed	10000–22000 rpm
Max. cutter diameter	89 mm
Fine adjustment	1/10 mm
Connection for dust extraction	Ø 36 mm (27 mm)
Weight	7,8 kg

## Version

	Scope of delivery	Order no.
① <b>OF 2200 EB-Plus router</b>	OF 2200 EB router, chip catcher, collet dia. 1/4", collet dia. 1/2", copying ring dia. 30 mm, operating tool, in SYSTAINER SYS 4	574274
② <b>OF 2200 EB router set</b>	OF 2200 router scope of delivery as described above and Accessories Systainer SYS 2	574300

## Accessories Systainer version

	Scope of delivery	Order no.
③ <b>Accessories Systainer ZS-OF 2200, metric units</b>	1x parallel fence SA-OF 2200, guide rail adapter FS-OF 2200, baseplate LA-OF 2200 dia. 36 CT, baseplate LA-OF 2200 dia. 36, baseplate with wide support AFB-OF 2200, copying ring dia. 17, 24, 27, 40 mm, in SYSTAINER SYS 2	495248
Elements	Explanations/Dimensions	Order no.
④ Baseplate LA-OF 2200 D36 CT	Ideal for copying rings up to 30 mm dia. With extraction openings for extracting chips from above. Reduces the size of the baseplate opening. Tool-free change possible	494675
⑤ Baseplate LA-OF 2200 D36	Ideal for work on edges, with 36 mm dia. baseplate opening. No tipping when routing around corners. Tool-free change possible	494677
⑥ Baseplate with wide support AFB-OF 2200	Prevents tipping and is ideal for safe guidance of the OF 2200 on edges. Tool-free change possible	494682
⑦ Parallel fence SA-OF 2200	For easy rebating or trenching. With adaptable plastic sliding jaws, fine adjustment accurate to 1/10 mm and extractor hood. (please order guide bars separately)	494680
⑧ Guide rail adapter FS-OF 2200	with an integrated fine adjustment mechanism – accurate to 1/10 mm. The baseplate with height adjustment in relation to the guide rail guarantees a steady base for the router. (please order guide bars separately)	494681
⑨ Guide rod ST-OF 2200/2	For use of the parallel fence and guide rail adapter set. Length 400 mm, included in Accessories Systainer ZS-OF 2200	495247

## Bench-mounted router TF 2200



## Technical data

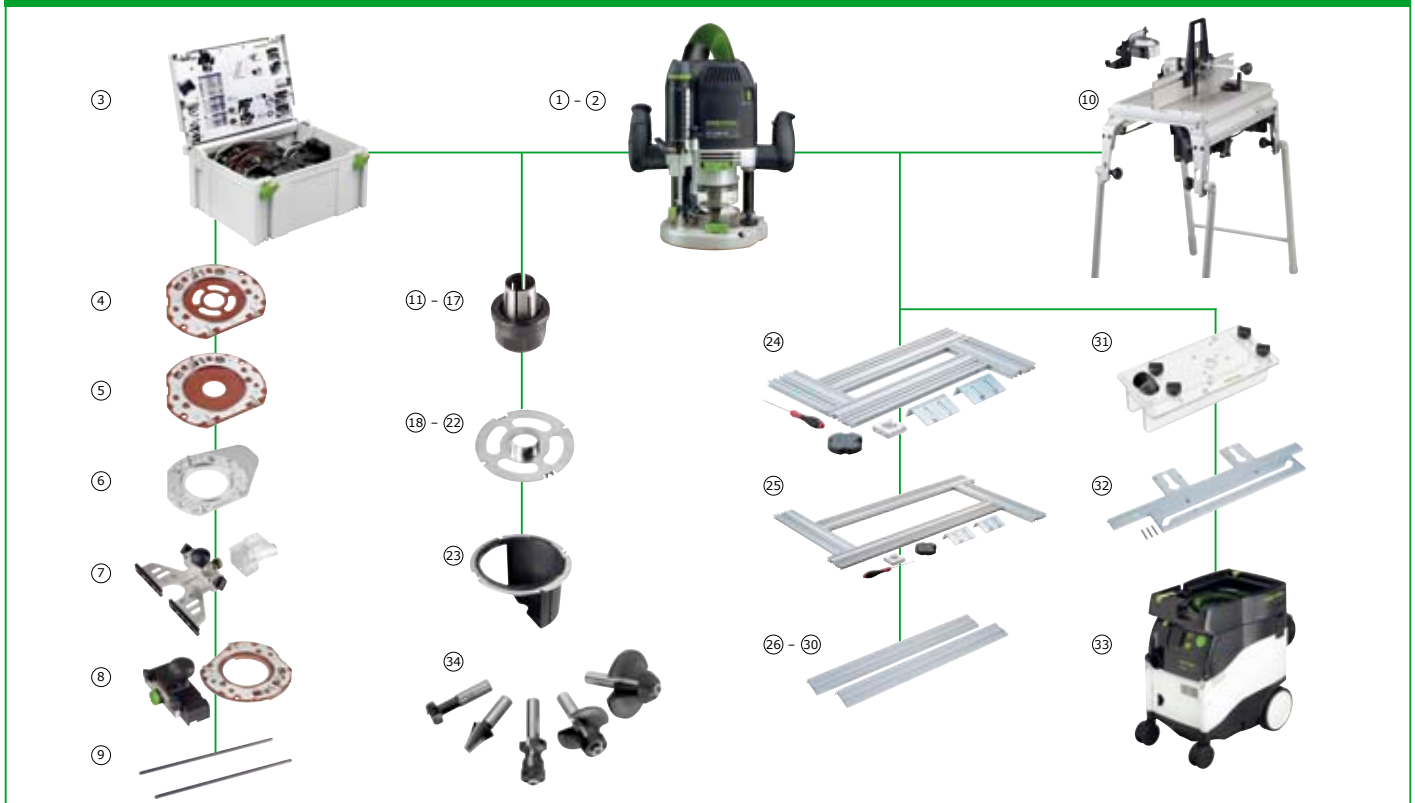
Power consumption	2200 W
No-load speed	10000–22000 rpm
Max. cutter diameter	60 mm
Fine adjustment	1/10 mm
Dimensions of module mounting	578 x 320 mm
Dust extraction connector	dia. 27/36 mm
Total weight	29.4 kg

## Version

	Scope of delivery	Order no.
⑩ <b>Bench-mounted router TF 2200 EB set</b>	OF 2200 EB-Plus router, CMS basic unit with foldaway legs, module mounting, router stop, routing guard, press-down fixture, assembly lugs, collet dia. 1/4", collet dia. 1/2", copying ring dia. 30 mm, top extractor hood, chip catcher, operating tool	570266

More versatile as a set: the new OF 2200 and the Accessories Systainer.

**System overview and accessories**



**System accessories**

	Explanations/Dimensions	Order no.
11	Collet SZ-D 6.0/OF1400-OF2200 Dust-optimised collet with union nut	494459
12	Collet SZ-D 8.0/OF 1400-OF 2200	494460
13	Collet SZ-D 10.0/OF 1400-OF 2200	494461
14	Collet SZ-D 12.0/OF 1400-OF 2200	494462
15	Collet SZ-D 6.35/OF 1400-OF 2200	494463
16	Collet SZ-D 9.53/OF 1400-OF 2200	494464
17	Collet SZ-D 12.7/OF 1400-OF 2200	494465
18	Copying ring KR-D 17.0/OF 2200 Attachable without tools; can be combined with different baseplate	494622
19	Copying ring KR-D 24.0/OF 2200	494623
20	Copying ring KR-D 27.0/OF 2200	494624
21	Copying ring KR-D 30.0/OF 2200	494625
22	Copying ring KR-D 40.0/OF 2200	494626
23	Chip catcher KSF-OF 2200 Attachable without tools and 360° rotatable chip catcher. For optimal extraction when routing edges. Contained in the scope of delivery of the OF 2200 (spare part)	494670
24	Routing template MFS 400 For routing cut-outs or circles with minimum effort. For routers with copying ring retainer. For cut-outs up to 300 x 100 mm and circles up to dia. 600 mm	492610
25	Routing template MFS 700 For routing cut-outs or circles with minimum effort. For routers with copying ring retainer. For cut-outs up to 600 x 300 mm and circles up to dia. 1200 mm	492611
26	Extension profile MFS-VP 200 For extension of the multiple router template MFS 400 and MFS 700, profile 200 mm	492722
27	Extension profile MFS-VP 400 Profile 400 mm	492723
28	Extension profile MFS-VP 700 Profile 700 mm	492724
29	Extension profile MFS-VP 1000 Profile 1000 mm	492725
30	Extension profile MFS-VP 2000 Profile 2000 mm (without scale)	492726
31	Routing aid OF-FH 2200 For example, for cutting trenches for door seals or safety door seals	495246
32	Worktop template APS 900 For corner and panel connections up to 600 mm or by shifting the routing template on the profile up to 900 mm. Routing bit dia. 14 mm and copying ring dia. 30 mm required	492727
33	Mobile dust extractor CTM 33 For wood dust and other dust with max. workplace concentration value > 0.1 mg/cm <sup>3</sup> , 1 filter bag fitted, suction hose D 27x3.5 m-AS, end cover for extraction nozzle, container/filter bag volume max. 33/30 l, dimensions (LxWxH) 625 x 380 x 550 mm, weight 14.5 kg, in a box. Further models are available from your specialist dealer, in the main Festool catalogue or on the Festool homepage.	583304
34	Router cutters Festool offers you an extensive range of over 160 router bits. In HS and HW quality for different shank diameters. More information is available from your specialist dealer, in the main Festool catalogue or on the Festool homepage.	

News and promotions

Online product catalogue

Online shops

Dealer search

Test reports

Service

Application examples

3D animation

### Your link to more information

On the Festool site you can find information about

- new products
- helpful application examples
- our comprehensive after-sales service
- the complete product range
- product features in detail
- And all of this at your leisure

And all of this at your leisure.

Order around the clock from your Festool System Partner Dealer.

It's easy: just visit [www.festool.com.au](http://www.festool.com.au)

# FESTOOL

www.festool.com.au

### Tooltechnic Systems (AUST) Pty Ltd

63-65 Quantum Close  
Dandenong South VIC 3175  
Postal address: PO Box 4401  
Dandenong South VIC 3164

Phone: 1800 063 900

Fax: 03 9799 9766

Service Hotline: 1800 063 900

E-mail: [festool@festool.com.au](mailto:festool@festool.com.au)

### Three years guarantee – that means three years security.



Festool grants a 1 year guarantee from the date of purchase, as long as the tool has been used correctly. This guarantee is automatically extended by a further two years, provided that the warranty form with every new tool is completed correctly and returned to Festool Australia within 30 days of the date of purchase.

### Make a contribution yourself – support the WWF together with Festool!



Our most important contribution to preserving our environment is the quality of our products, which are characterised by their durability and positive eco-features such as recyclability and environmental compatibility.

By purchasing one of the promotional products, you are supporting our collaboration with the WWF and receive a WWF panda keyring pendant as a thank-you gift.

© 1986 Panda symbol WWF – World Wide Fund For Nature (Formerly World Wildlife Fund)  
® „WWF“ and „living planet“ are WWF Registered Trademarks

[www.festool.com/wwf](http://www.festool.com/wwf)

Dealer